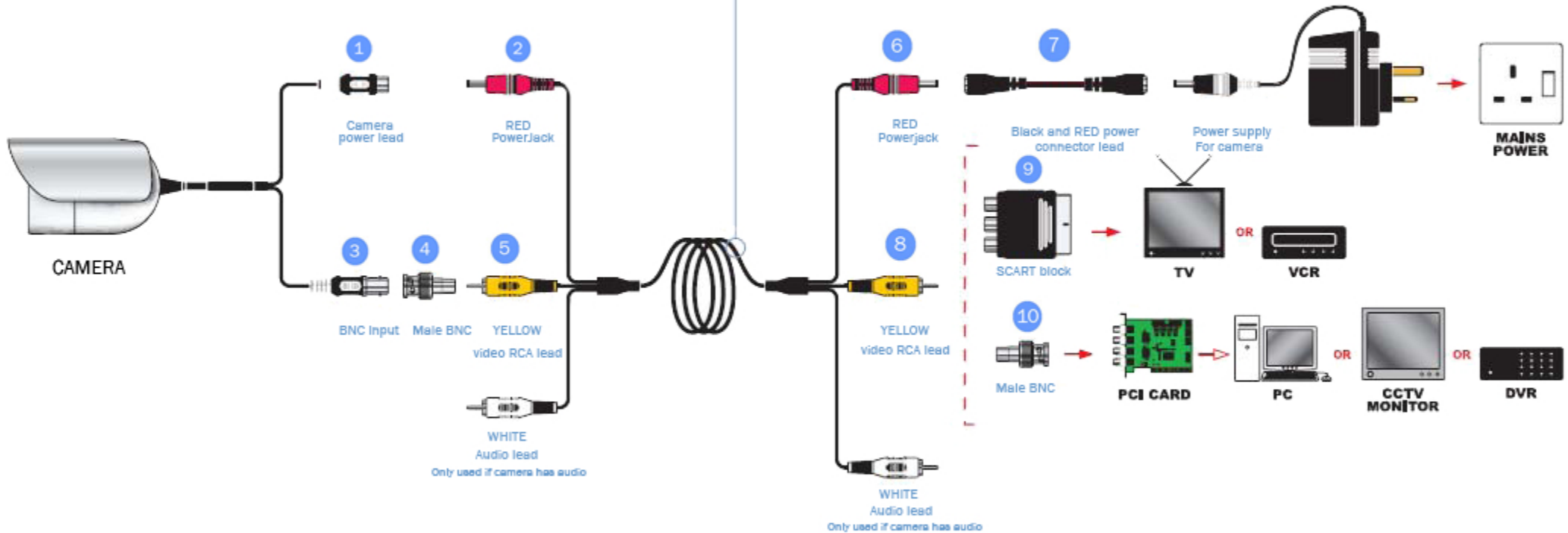


Cabling Instructions

Contents

- 1 x Cable
- 1 x Red & Black power connector lead
- 2 x Black cable extension connectors



To Connect Cable to Camera

- Connect the power lead from the camera **1** to RED power jack on cable **2**
- Connect silver male BNC connector **4** to the camera **3**
- Connect this male BNC **3** + **4** to the YELLOW RCA lead cable **5**

To Connect Cable to TV/VCR

- Connect RED power jack **6** to the black & red power connector lead **7**
- connect lead to power supply cable
- Connect YELLOW RCA lead from cable **8** to the SCART block **9**
- Connect SCART block **9** to TV or VCR

To Connect Cable to CCTV Recording/Monitoring Device

- Connect RED power jack **6** to the red & black power connector lead **7**
- connect lead to power supply cable
- Connect a silver male BNC connector **10** to YELLO RCA lead on cable **8**
- Connect the male BNC **8** + **10** to female BNC Input on the recording or monitoring device.